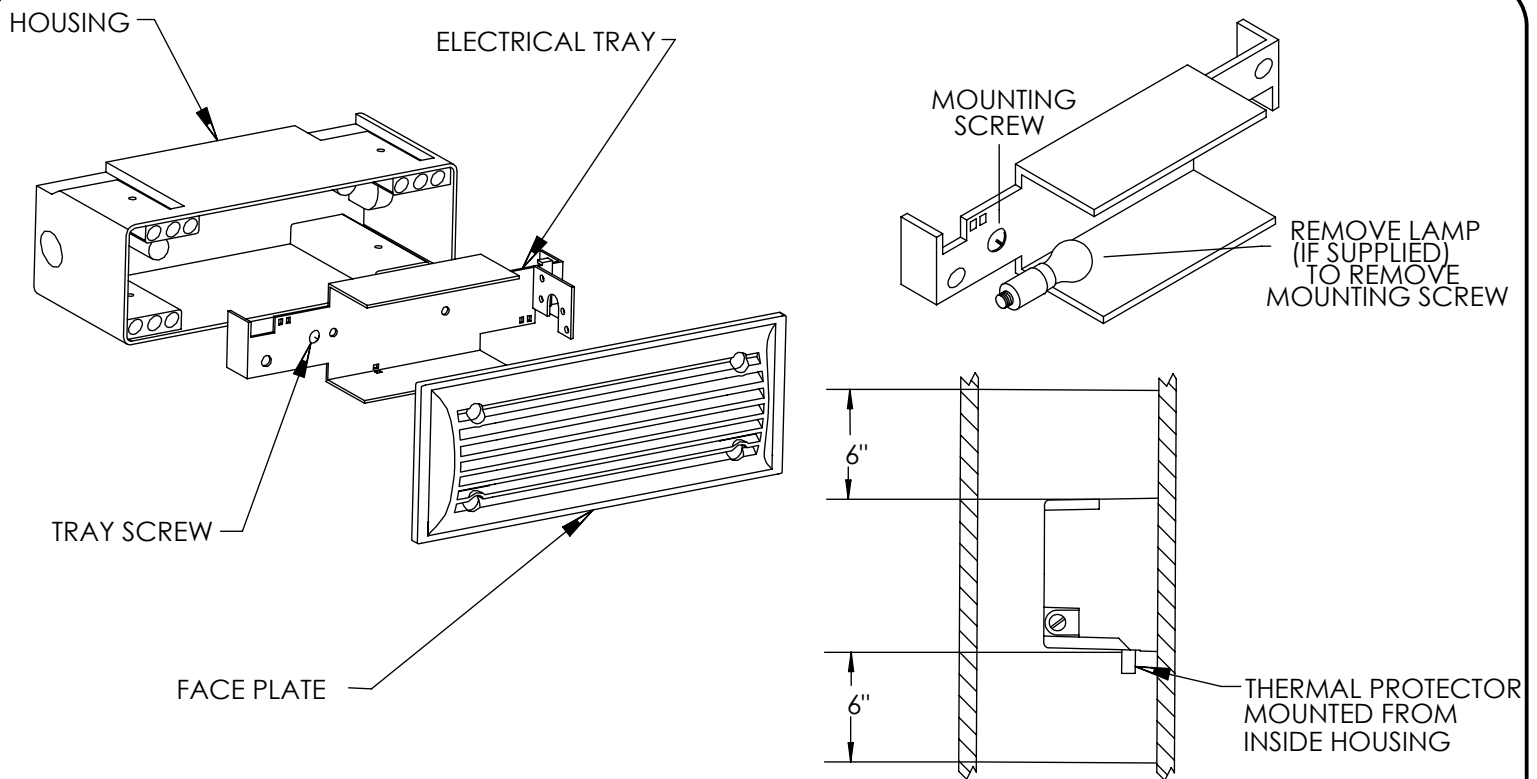


INSTALLATION INSTRUCTIONS: CB100 BRICKLYTE



READ THESE INSTRUCTIONS CAREFULLY BEFORE INSTALLING THIS FIXTURE.

This system is intended for installation in accordance with the National Electrical Code and local code specifications. Failure to adhere to these codes and instructions may result in serious injury and/or damage to the fixture, and will void HADCO's warranty. These instructions cover most installation applications. For any special applications not covered, please contact HADCO for assistance.

GFI PROTECTION! Fixtures which may come in contact with or be exposed to moisture (i.e. outdoors) shall be installed on a GFI (Ground Fault Interruptor) protected circuit.

Make sure power is off before installing or servicing this fixture.

Remove face plate by loosening 4 philips screws on front of louver.

Remove electrical tray by loosening one philips screw.

Install housing per instructions on following page, according to specific mounting application: New stud wall, Existing stud wall, Masonry wall, or concrete pour installation.

For interior or exterior, new or existing walls of plasterboard or wood, a thermal protector is required and insulation is to be a minimum of 6 inches away from sides of housing. Install thermal protector by removing 1 inch snap-in plug and pushing protector through hole from inside housing.

Thermal protection is not required for masonry or concrete pour installations. Thermal protection is also not required for fluorescent lampings since the Recessed Bricklyte ballast is class P and contains thermal protection.

Re-assemble fixture.

Turn power ON.



This fixture is intended for installation in accordance with the National Electrical Code and local code specifications. Failure to adhere to these codes and instructions may result in serious injury and/or damage to the ballast and void the warranty. These instructions do not purport to cover all details or variations in equipment, nor to provide for every possible contingency related to installation, operation, maintenance, or mounting situation. Should specific problems occur that are not addressed by these instructions, contact your Sales Representative or distributor for assistance. Retain these instructions for future reference.

**INSTALLATION FOR NEW STUD WALL
(USE ACCESSORY KET #MAKNS)**

Using the template supplied, cut a level hole through the wall board to fit around the fixture housing. Failure to level the hole will cause the fixture to have a tilted appearance.

Mount "L" brackets onto housing 4 places with screw positioned in center of slot, and insert cross brackets through the "L" brackets on top and bottom of housing.

Position fixture so that the housing extends past the studs the thickness of the wallboard plus 1/8 inch.

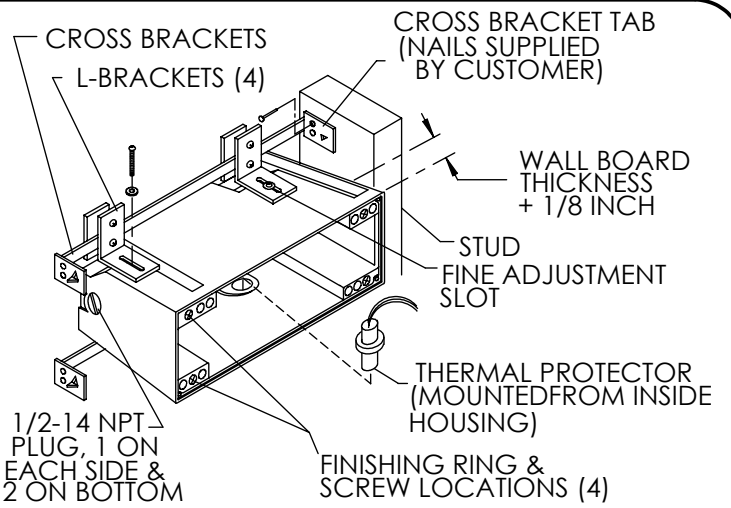
Level fixture and hammer tabs on cross brackets into studs, then nail brackets securely to studs.

Fine adjust fixture position and tighten all loose screws.

Remove the 1/2" NPT plugs from the side/bottom of the housing and pull supply wires through holes and into housing.

Install wall board.

Install thermal protector.



**INSTALLATION FOR EXISTING STUD WALL
(USE ACCESSORY KET #MAKEC)**

Using the template supplied, cut a level hole through the existing wall between existing studs. Failure to level the hole will cause the fixture to have a tilted appearance.

Push the four mounting screws through the housing holes and into rear channels. (NOTE: A thin membrane covers the housing holes and may require forcing the screws through to penetrate the membrane.)

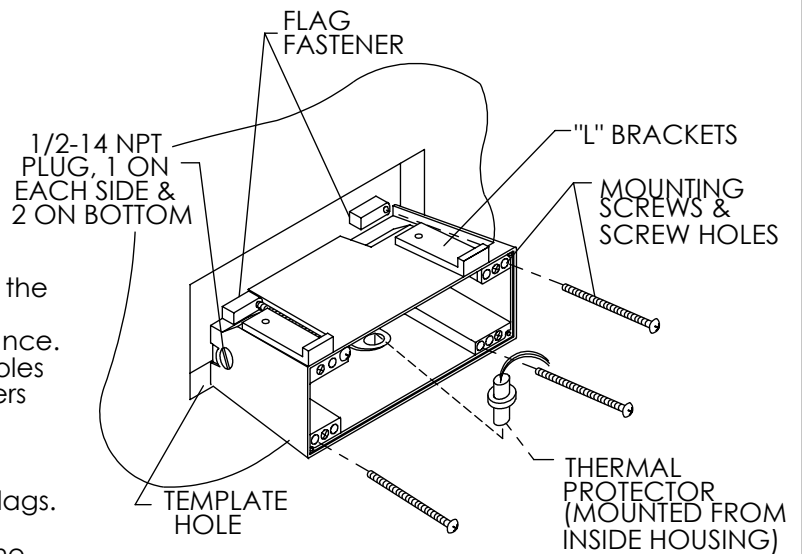
Place flags flat on rear of housing and thread screws into flags until the screws are completely through the flags.

Install four "L" brackets on housing with four screws.

Remove the 1/2" NPT plugs from the side/bottom of the housing and pull the supply wires through into the housing.

Push housing into the hole in the wall and tighten four mounting screws until the flag fasteners have drawn tightly up against the rear surface of the wall.

Install thermal protector.



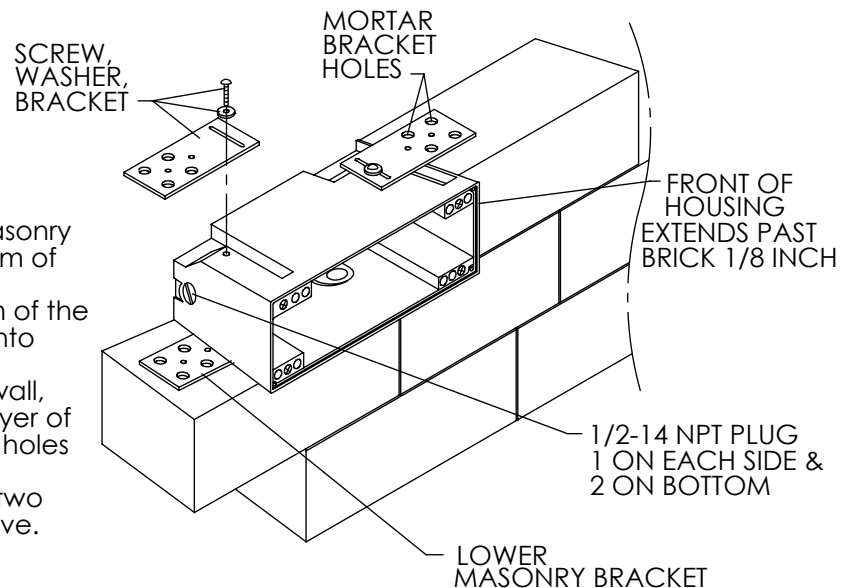
**INSTALLATION FOR MASONRY WALL
(USE ACCESSORY KET #MAKM)**

Install two screws through washers and lower masonry brackets and into tapped housing holes on bottom of fixture.

Remove the 1/2" NPT plugs from the side/bottom of the housing and pull supply wires through holes and into housing.

Leaving 1/8" of housing extending past front of wall, press fixture and lower masonry brackets into a layer of mortar so that the mortar penetrates through the holes of the masonry brackets.

After laying another course of blocks, install the two upper masonry brackets onto the housing as above.



**INSTALLATION FOR CONCRETE POUR
(HARDWARE INCLUDED WITH FIXTURE)**

**NOTE: LEVEL TEMPLATE BEFORE
DRILLING OR CUTTING**

Level supplied template on wood support frame and drill four 3/16" diameter clearance holes. Failure to level will cause fixture to have a tilted appearance.

Remove the 1/2" NPT plugs from the side/bottom of the housing and pull the supply wires through the holes and into the housing.

Be sure all unused electrical plugs have been replaced. Using template, cut 1/8" deep outline into back of wood support.

Secure housing to wood support with screws supplied in hardware pack. Housing must extend 1/8" past front of finished wall.

Pour concrete.

After concrete is dry, remove 4 screws and wood support.

