

2

Inch

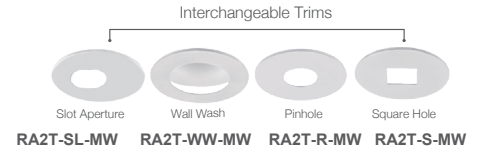
Interchangeable Reflector & Trim

- Beam Spread options 24°/38°
- Type IC, Air-Tight & Damp - No Housing Required
- Aluminum die-cast construction
- I.C. rated for direct contact with insulation
- Suitable for DAMP LOCATION
- LM79, LM-80 testing performed in accordance with IESNA standards

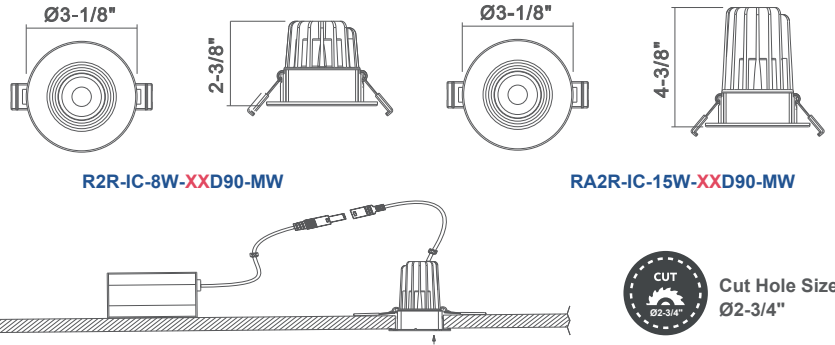


Mix & Match interchangeable reflector & trims!

Optional Lens



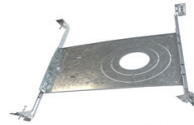
This accessories are compatible with the R2R Series



SPECIFICATIONS	
Application	Recessed Ceiling Mount
Watts	8W 15W
Light Output(lm)	600lm 1000lm
Color Temperature(K)	5CCT Selectable 2700K to 5000K
CRI	90Ra+
Default Driver Input	AC120V 60Hz
Dimming	Triac Dimming
Power Factor	>0.9
Approved Location	Damp Location
Air Tight	YES
Operating Temp.	(-4°F~104°F) -20~40°C
Beam Angle	38°

Accessories

Mounting Plate



R2.5-4-6-NC
See Page 21

Emergency Driver



BL-ELD-15W
See Page 21

Ordering For 8 Watt Version

MODELS	CCT	FINISH
R2R-IC-8W-27D90-MW	2700 Kelvin	MW(Matte White)
R2R-IC-8W-3D90-MW	3000 Kelvin	
R2R-IC-8W-4D90-MW	4000 Kelvin	
R2R-IC-8W-5CCT-D90-MW	5CCT(selectable CCT 2700-5000K)	

Ordering For 15 Watt Version

MODELS	CCT	FINISH
RA2R-IC-15W-27D90-MW	2700 Kelvin	MW (Matte White)
RA2R-IC-15W-3D90-MW	3000 Kelvin	
RA2R-IC-15W-4D90-MW	4000 Kelvin	
RA2R-IC-15W-5CCT-D90-MW	5CCT(selectable CCT 2700-5000K)	