

PROJECT: \_\_\_\_\_

TYPE: \_\_\_\_\_ DATE: \_\_\_\_\_

NOTES: \_\_\_\_\_

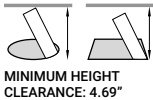
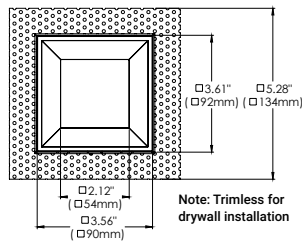
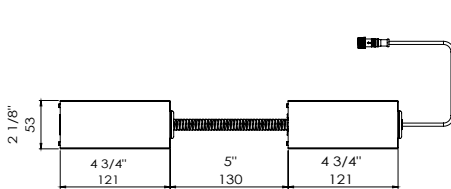
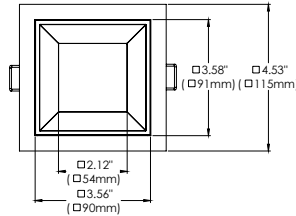
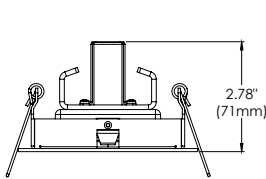


### FEATURES

The Bravo collection features a sharp sleek design, no matter the type of fixture you choose within this collection. Whether you choose both Bravo ceiling mount luminaries and Bravo recessed mount fixtures, there will be a harmonious integration throughout the room. Bravo Recessed mount fixtures are available in 3 body sizes and can be outfitted with 7 different modules that can be used for various applications and installations.

### SPECIFICATIONS

<b>FIXTURE BODY</b>	18 gauge powder coated steel body. Aluminum powder coated trim or trimless mesh plate
<b>INSTALLATION TYPE</b>	Remodel/existing ceiling N/C plate, IC Box on page 2
<b>CUT HOLE</b>	Trim & Trimless: 4 1/8" x 4 1/8"
<b>COLOR FINISH</b>	Black/White/Custom
<b>LIGHT MODULE</b>	High output, high efficiency LED COB Lumen Maintenance: 70%@50,000 hrs
<b>INPUT VOLTAGE</b>	120V - 277V
<b>WATTAGE</b>	15W Non-IC Rated
<b>POWER SUPPLY</b>	ERP 15W, Constant Current 350mA power supply Minimum operating temperature: -30° Enclosed in a Junction box with 12" flexible cable to mate to module connector
<b>BEAM ANGLE</b>	100°
<b>CRI</b>	90+
<b>DIMMING</b>	TRIAC/ELV/0-10V
<b>DELIVERED LUMENS</b>	15W, 625 Lumens
<b>CCT OPTIONS</b>	3000K/4000K
<b>APPROVAL</b>	Damp
<b>ELECTRICAL APPROVAL</b>	Compliant
<b>WARRANTY</b>	



MAX CEILING TRIM THICKNESS: 1.25"  
TRIMLESS THICKNESS: 1.5"

### SPECIFICATION GUIDE

BRAVO	RECESSED	1-LIGHT	TRIM/ TRIMLESS	FINISH	LIGHT MODULE x 1	WATTAGE	CCT	ADD-ONS**					
BVO	R	1	T	TRIM	01	BLACK	PN	PANEL	15	15W	30	EM	EMERGENCY MICRO INVERTER
			TL	TRIMLESS	02	WHITE					40		** Sold Separate, see page 2 for details.

#### ORDERING GUIDE EXAMPLE:

Bravo / Recessed Mount / 1-Light / Trim / White / Panel  
15W / 3000K

CODE: **BVO-R-1-T-02-PN-15-30**

### ADD-ONS (Sold Separate)



**SINUSOIDAL EMERGENCY  
MICRO INVERTER**  
47184-015

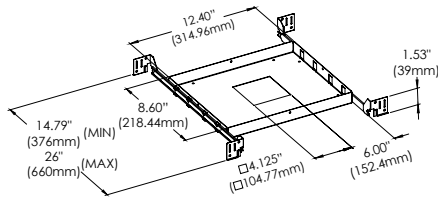
- **Remote Mounted**
- **150W Max 0-10V**
- **25W Max Triac/elv.**
- **Can accommodate multiple fixtures**
- **Recommended to load to 80%**
- **90 Min Service**
- **See Spc Sheet for more details**

### NEW CONSTRUCTION PLATES + IC BOXES



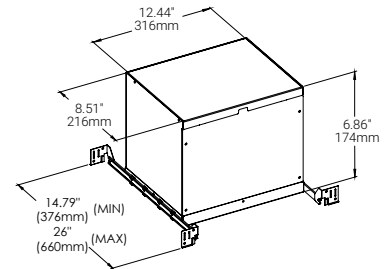
**NEW CONSTRUCTION PLATE  
TRIM & TRIMLESS**  
44360-016

**CUT HOLE:**  
Trim & Trimless:  
4 1/8" x 4 1/8"



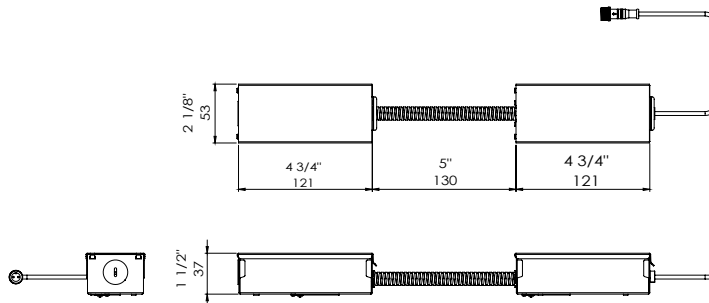
**AT/IC BOX**  
46743-015

**CUT HOLE:**  
Trim & Trimless:  
4 1/8" x 4 1/8"

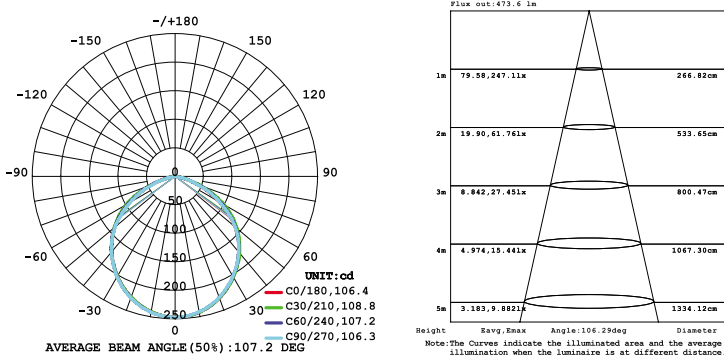


### DRIVERS

- Compatible with TRIAC (forward-phase or leading-edge) ELV (reverse-phase or trailing edge) and 0-10V dimmers.
- ESSxxxW models: TRIAC and ELV dimming only at 120 Vac
- ESSxxxW models: ELV dimming only at 230 Vac
- 90° C maximum case hot spot temperature
- Class 2 power supply
- Lifetime: 50,000 hours at 70° case hot spot temperature (some models have a higher lifetime)
- IP64-rated (IP66 for ESST) case with silicone-based potting
- Protections: Output open load, over-current and short-circuit (hiccup), and over-temperature with auto recovery.
- Conducted and radiated EMI: Compliant with FCC CFR Title 47 Part 15 Class B (120 Vac) and Class A (277 Vac), and EN55015 (CISPR 15) at 220, 230, and 240 Vac.
- Complies with ENERGY STAR®, DLC (DesignLight Consortium®) and CA Title 24 technical requirements
- Worldwide safety approvals

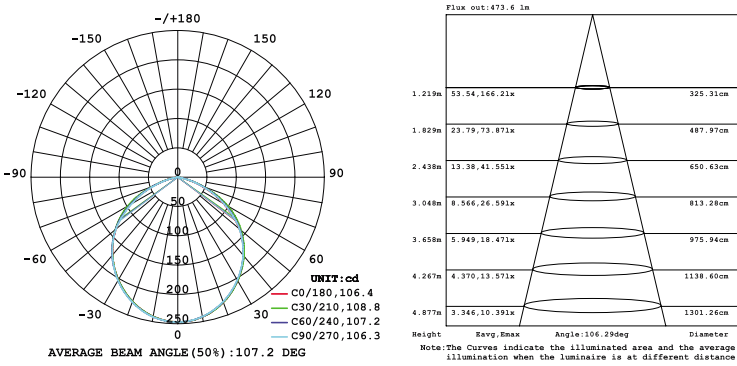


(Metric)



15W 1-LIGHT PANEL CLEAR

(Imperial)



15W 1-LIGHT PANEL CLEAR