



# Oscar

Small Aperture Round - Downlight

PROJECT: \_\_\_\_\_

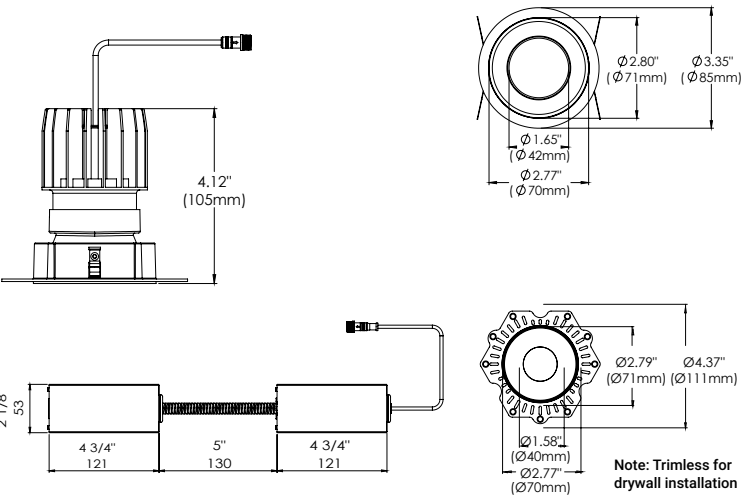
TYPE: \_\_\_\_\_ DATE: \_\_\_\_\_

NOTES: \_\_\_\_\_



## FEATURES

With their smooth, flat and edgeless design, Oscar family recessed luminaires become a seamless part of ceiling decor. With 3 different light modules suited for ambient and accent lighting, the Oscar family is as highly functional as it is visually appealing. Numerous ordering options allow for further functional and artistic customization. Oscar recessed luminaires are available in larger sizes with higher lumen packages making them ideal for both residential and commercial settings.



## SPECIFICATIONS

<b>FIXTURE BODY</b>	18 gauge powder coated steel body. Aluminum powder coated trim or trimless mesh plate
<b>INSTALLATION TYPE</b>	Remodel/existing ceiling N/C plate, IC Box on page 2
<b>CUT HOLE</b>	Trim: Ø3 1/8" Trimless: Ø3 1/4"
<b>COLOR FINISH</b>	Black/White/Custom
<b>LIGHT MODULE</b>	High output, high efficiency LED COB. Lumen Maintenance: 70% @ 50,000 hrs
<b>INPUT VOLTAGE</b>	120V - 277V
<b>WATTAGE</b>	10W IC Rated, 15W Non-IC Rated
<b>POWER SUPPLY</b>	ERP 10W or 15W, Constant Current 250mA or 350mA power supply Minimum operating temperature: -30° Enclosed in a Junction box with 12" flexible cable to mate to module connector
<b>CRI</b>	90+
<b>DIMMING</b>	TRIAC/ELV/0-10V
<b>DELIVERED LUMENS</b>	10W, 810 Lumens & 15W, 1060 Lumens, Dim to Warm: 15W, 785 Lumens
<b>CCT OPTIONS</b>	2700K/3000K/3500K/4000K, DTW (Dim to warm)
<b>REFLECTORS</b>	(N) Narrow 15°/(M) Medium 24°/(W) Wide 38°/ (F) Wide Flood 50°
<b>DIFFUSERS</b>	(CL) Clear/(LN) Linear Spread/(HC) Honeycomb (FR) Frosted/(SP) Solite
<b>APPROVAL</b>	Wet
<b>ELECTRICAL APPROVAL</b>	Compliant
<b>WARRANTY</b>	

## SPECIFICATION GUIDE

OSCAR	3	SHAPE	TRIM/TRIMLESS	FINISHES	LIGHT MODULE	BAFFLE FINISHES	WATTAGE	CCT	BEAM ANGLE	DIFFUSER	ADD-ONS								
OSC	3	R	ROUND	T	TRIM	01	BLACK	RF	RECESSED FIXED	01	MATTE BLACK	10	10W	27	N	15°	CL	CLEAR	EM EMERGENCY MICRO INVERTER*
				TL	TRIMLESS	02	WHITE			02	MATTE WHITE	15	15W	30	M	24°	LN	LINEAR SPREAD	
						03	GOLD			03	GOLD			35	W	38°	HC	HONEYCOMB	
						04	CHROME			04	CHROME			40	F	50°	FR	FROSTED	
						05	DARK CHROME			05	DARK CHROME						SP	SOLITE	
										DTW									
										Dim To Warm									
										15W only									

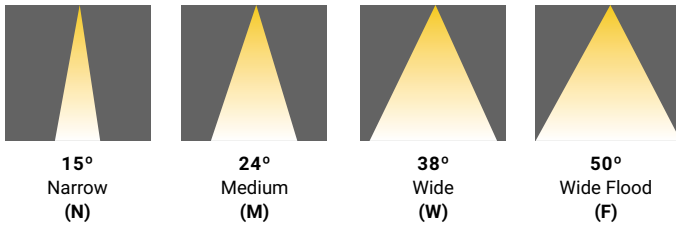
**ORDERING GUIDE EXAMPLE:**  
 Oscar / 3 / Round / Trim / White / Recessed Fixed / Chrome / 15W / 2700K / 15° Beam Angle / Clear Diffuser  
**CODE: OSC-3-R-T-02-RF-04-15-27-N-CL**



**EUROfase**  
Function.

**Oscar**  
Small Aperture Round - Downlight

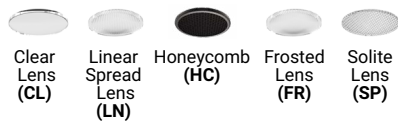
**REFLECTOR OPTIONS**



**BAFFLE FINISHES**



**DIFFUSER OPTIONS**



**ADD-ONS**



- Remote Mounted
- 150W Max 0-10V
- 25W Max Triac/elv.
- Can accommodate multiple fixtures
- Recommended to load to 80%
- 90 Min Service
- See Spc Sheet for more details

SINUSOIDAL EMERGENCY MICRO INVERTER

**NEW CONSTRUCTION PLATES + IC BOXES**

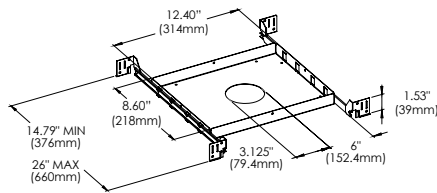


**NEW CONSTRUCTION PLATE**

**TRIM**  
43784-011

**TRIMLESS**  
30534-018

**CUT HOLE:**  
Trim: Ø3 1/8"  
Trimless: Ø3 1/4"

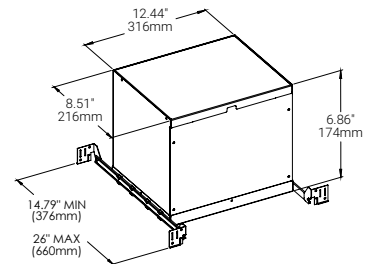


**AT/IC Box:** 46746-016

**CUT HOLE:**  
Trim: Ø3 1/8"  
Trimless: Ø3 1/4"

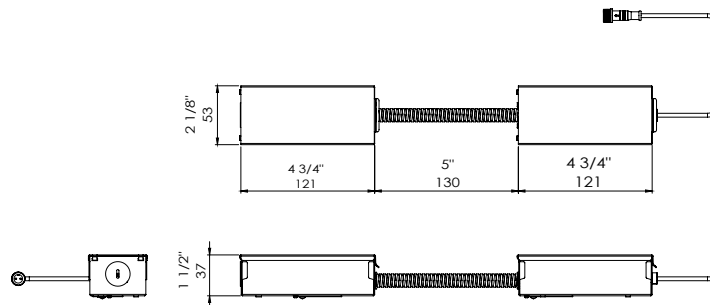
**TRIMLESS AT/IC Box:** 46739-018

**CUT HOLE:**  
Trim: Ø3 1/8"  
Trimless: Ø3 1/4"



**DRIVERS**

- Compatible with TRIAC (forward-phase or leading-edge) ELV (reverse-phase or trailing edge) and 0-10V dimmers.
- ESSxxxW models: TRIAC and ELV dimming only at 120 Vac
- ESSxxxW models: ELV dimming only at 230 Vac
- 90° C maximum case hot spot temperature
- Class 2 power supply
- Lifetime: 50,000 hours at 70° case hot spot temperature (some models have a higher lifetime)
- IP64-rated (IP66 for ESST) case with silicone-based potting
- Protections: Output open load, over-current and short-circuit (hiccup), and over-temperature with auto recovery.
- Conducted and radiated EMI: Compliant with FCC CFR Title 47 Part 15 Class B (120 Vac) and Class A (277 Vac), and EN55015 (CISPR 15) at 220, 230, and 240 Vac.
- Complies with ENERGY STAR®, DLC (DesignLight Consortium®) and CA Title 24 technical requirements
- Worldwide safety approvals

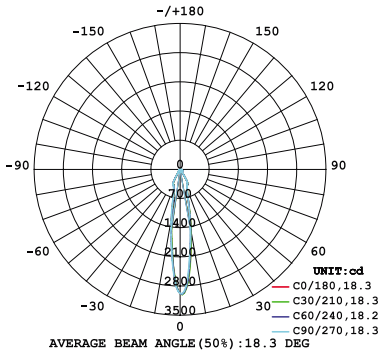




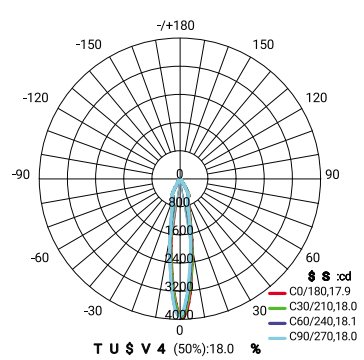
**EUROfase**  
Function.

**Oscar**

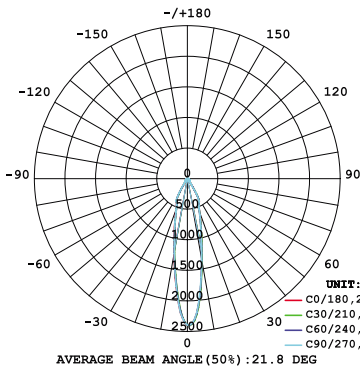
Small Aperture Round - Downlight  
PHOTOMETRICS (Metric)



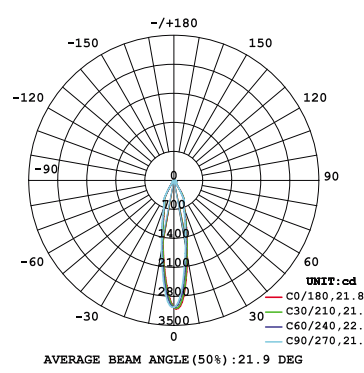
10W 1-LIGHT FIXED NARROW CLEAR



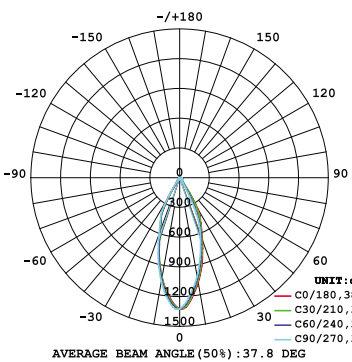
15W 1-LIGHT FIXED NARROW CLEAR



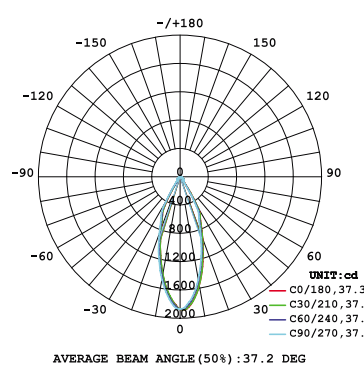
10W 1-LIGHT FIXED MEDIUM CLEAR



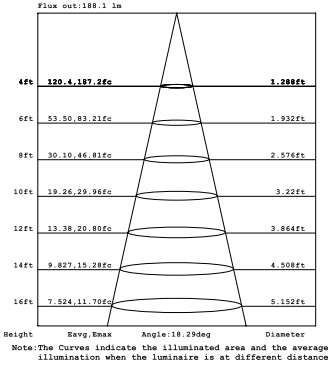
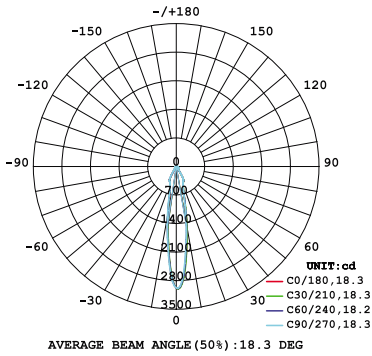
15W 1-LIGHT FIXED MEDIUM CLEAR



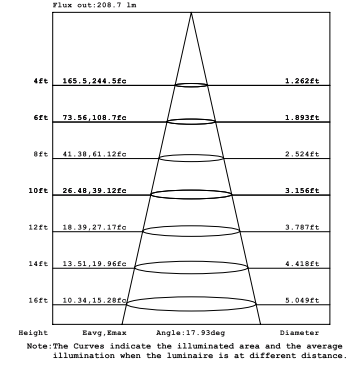
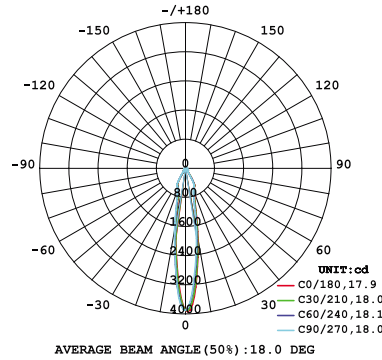
10W 1-LIGHT FIXED WIDE CLEAR



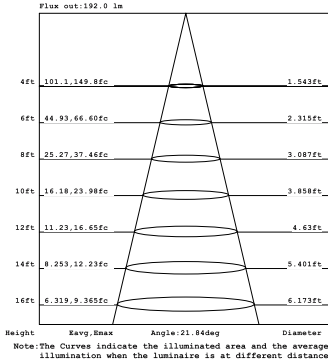
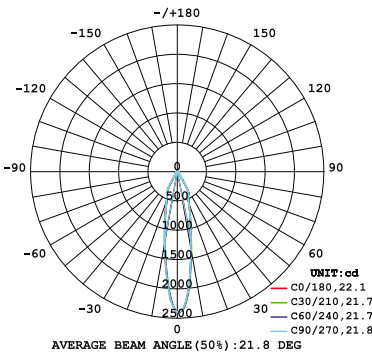
15W 1-LIGHT FIXED WIDE CLEAR



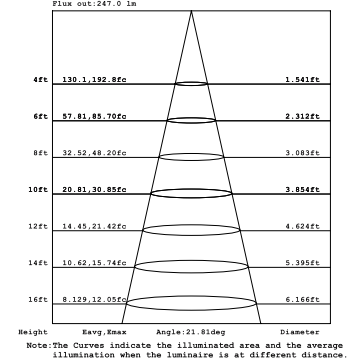
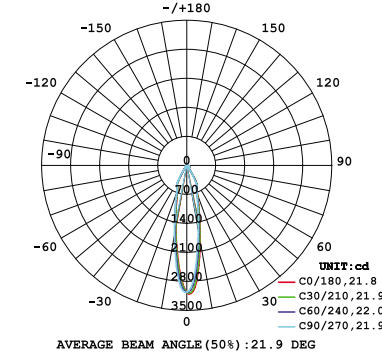
10W 1-LIGHT FIXED NARROW CLEAR



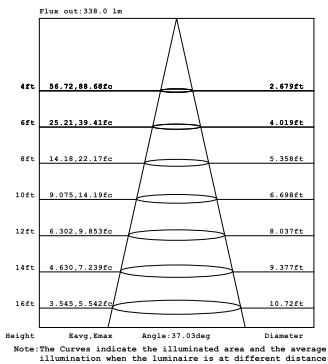
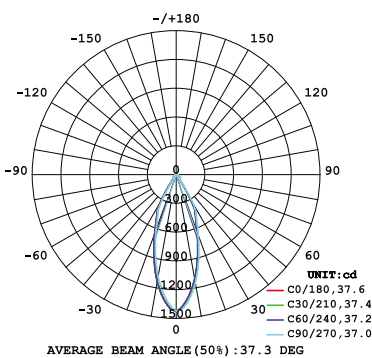
15W 1-LIGHT FIXED NARROW CLEAR



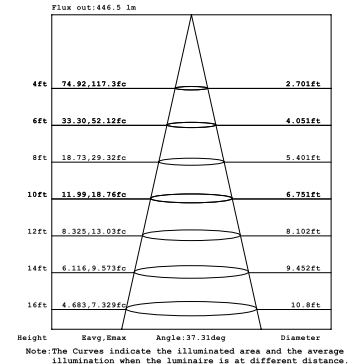
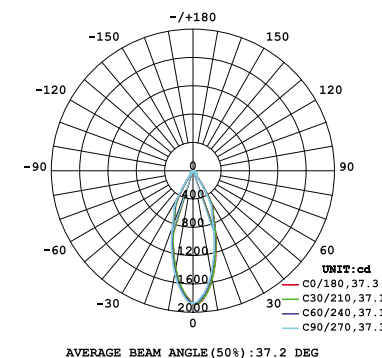
10W 1-LIGHT FIXED MEDIUM CLEAR



15W 1-LIGHT FIXED MEDIUM CLEAR



10W 1-LIGHT FIXED WIDE CLEAR



15W 1-LIGHT FIXED WIDE CLEAR