

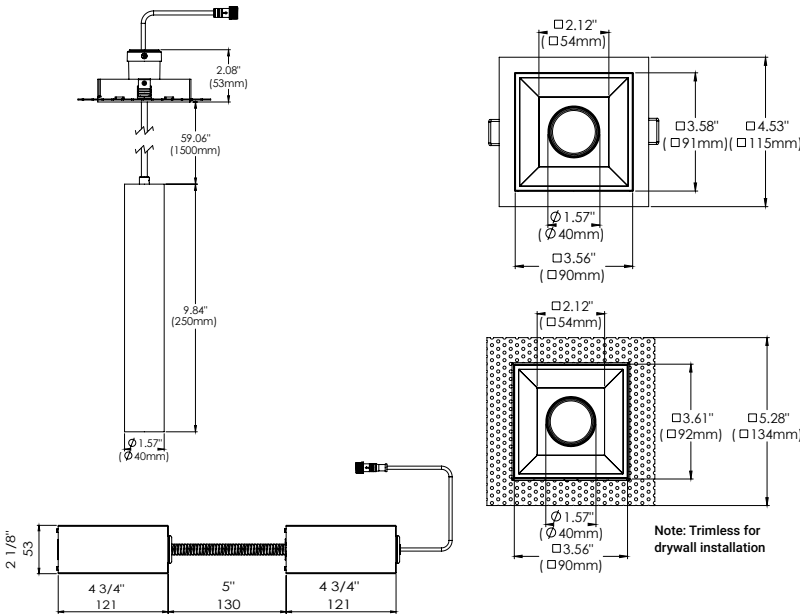


### FEATURES

The Bravo collection features a sharp sleek design, no matter the type of fixture you choose within this collection. Whether you choose both Bravo ceiling mount luminaries and Bravo recessed mount fixtures, there will be a harmonious integration throughout the room. Bravo Recessed mount fixtures are available in 3 body sizes and can be outfitted with 7 different modules that can be used for various applications and installations.

### SPECIFICATIONS

|                            |   |
|----------------------------|---|
| <b>FIXTURE BODY</b>        | 18 gauge powder coated steel body. Aluminum powder coated trim or trimless mesh plate   |
| <b>INSTALLATION TYPE</b>   | Remodel/existing ceiling<br>N/C plate, IC Box on page 2   |
| <b>CUT HOLE</b>            | Trim & Trimless: 4 1/8" x 4 1/8"  |
| <b>COLOR FINISH</b>        | Black/White/Custom  |
| <b>LIGHT MODULE</b>        | High output, high efficiency LED COB<br>Lumen Maintenance: 70%@50,000 hrs   |
| <b>INPUT VOLTAGE</b>       | 120V - 277V   |
| <b>WATTAGE</b>             | 15W IC Rated  |
| <b>POWER SUPPLY</b>        | ERP 15W, Constant Current 350mA power supply<br>Minimum operating temperature: -30°<br>Enclosed in a Junction box with 12" flexible cable to mate to module connector |
| <b>CRI</b>                 | 90+   |
| <b>DIMMING</b>             | TRIAC/ELV/0-10V   |
| <b>DELIVERED LUMENS</b>    | 15W, 830 Lumens   |
| <b>CCT OPTIONS</b>         | 3000K/4000K   |
| <b>APPROVAL</b>            | Damp  |
| <b>ELECTRICAL APPROVAL</b> | Compliant   |
| <b>WARRANTY</b>            |   |



### SPECIFICATION GUIDE

| BRAVO | RECESSED | 1-LIGHT | TRIM/ TRIMLESS | FINISH   | LIGHT MODULE x 1 | WATTAGE | CCT | ADD-ONS**  |    |     |    |    |                          |
|-------|----------|---------|----------------|----------|------------------|---------|-----|------------|----|-----|----|----|--------------------------|
| BVO   | R        | 1       | T              | TRIM     | 01               | BLACK   | SU  | SUSPENSION | 15 | 15W | 30 | EM | EMERGENCY MICRO INVERTER |
|       |          |         | TL             | TRIMLESS | 02               | WHITE   |     |            |    |     | 40 |    |                          |

\*\* Sold Separate, see page 2 for details.

**ORDERING GUIDE EXAMPLE:**  
 Bravo / Recessed Mount / 1-Light / Trim / White / Suspension  
 15W / 3000K  
**CODE: BVO-R-1-T-02-SU-15-30**

### ADD-ONS (Sold Separate)



**SINUSOIDAL EMERGENCY MICRO INVERTER**  
47184-015

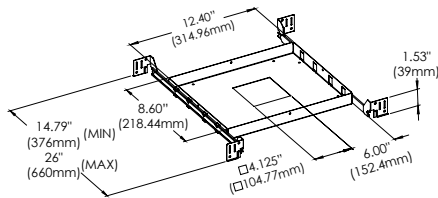
- Remote Mounted
- 150W Max 0-10V
- 25W Max Triac/elv.
- Can accommodate multiple fixtures
- Recommended to load to 80%
- 90 Min Service
- See Spc Sheet for more details

### NEW CONSTRUCTION PLATES + IC BOXES



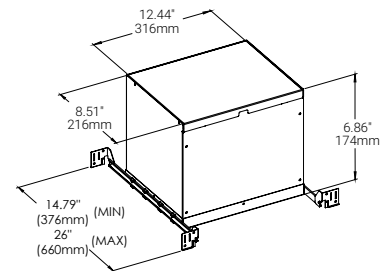
**NEW CONSTRUCTION PLATE TRIM & TRIMLESS**  
44360-016

**CUT HOLE:**  
Trim & Trimless:  
4 1/8" x 4 1/8"



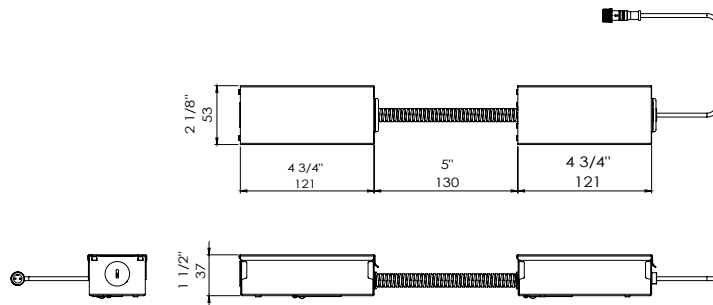
**AT/IC BOX**  
46743-015

**CUT HOLE:**  
Trim & Trimless:  
4 1/8" x 4 1/8"

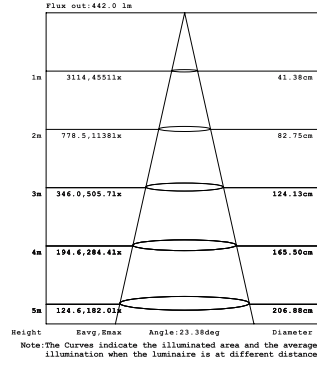
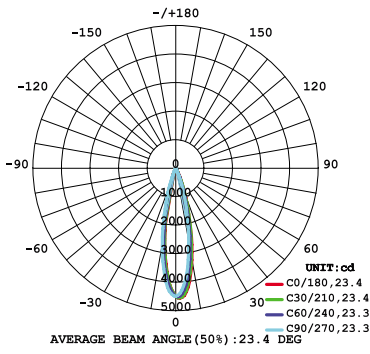


### DRIVERS

- Compatible with TRIAC (forward-phase or leading-edge) ELV (reverse-phase or trailing edge) and 0-10V dimmers.
- ESSxxxW models: TRIAC and ELV dimming only at 120 Vac
- ESSxxxW models: ELV dimming only at 230 Vac
- 90° C maximum case hot spot temperature
- Class 2 power supply
- Lifetime: 50,000 hours at 70° case hot spot temperature (some models have a higher lifetime)
- IP64-rated (IP66 for ESST) case with silicone-based potting
- Protections: Output open load, over-current and short-circuit (hiccup), and over-temperature with auto recovery.
- Conducted and radiated EMI: Compliant with FCC CFR Title 47 Part 15 Class B (120 Vac) and Class A (277 Vac), and EN55015 (CISPR 15) at 220, 230, and 240 Vac.
- Complies with ENERGY STAR®, DLC (DesignLight Consortium®) and CA Title 24 technical requirements
- Worldwide safety approvals

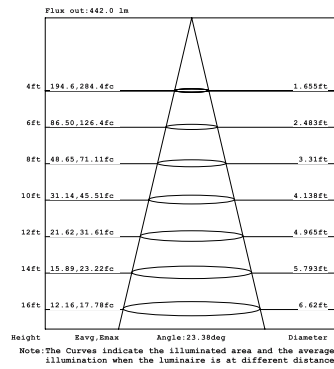
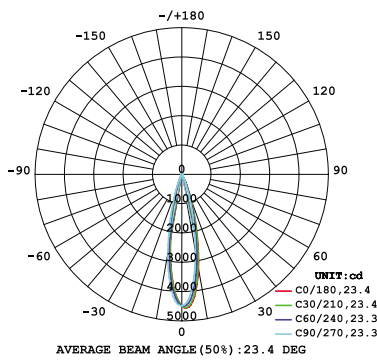


(Metric)



15W 1-LIGHT SUSPENSION

(Imperial)



15W 1-LIGHT SUSPENSION