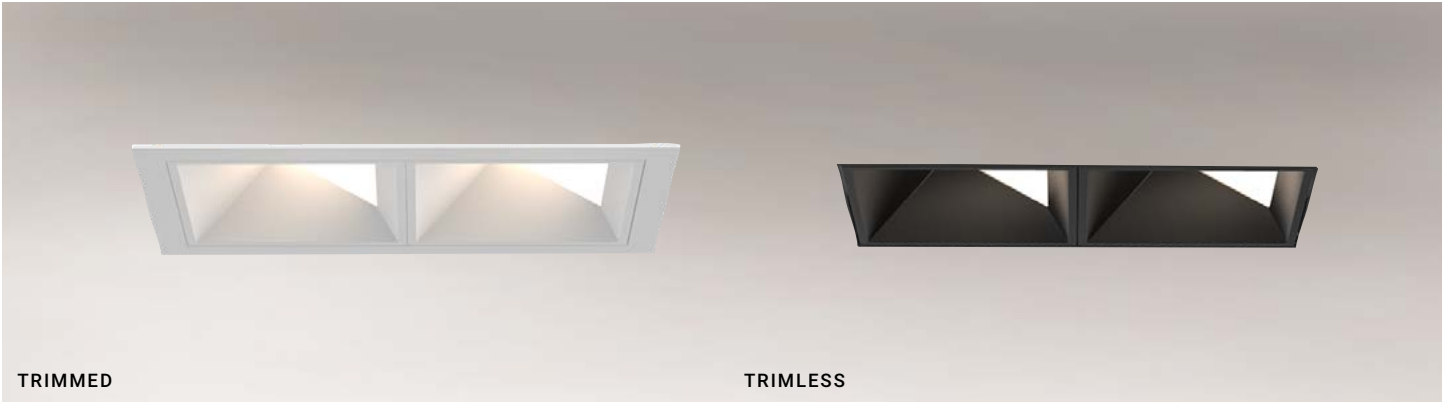


PROJECT: _____

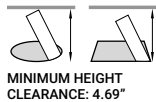
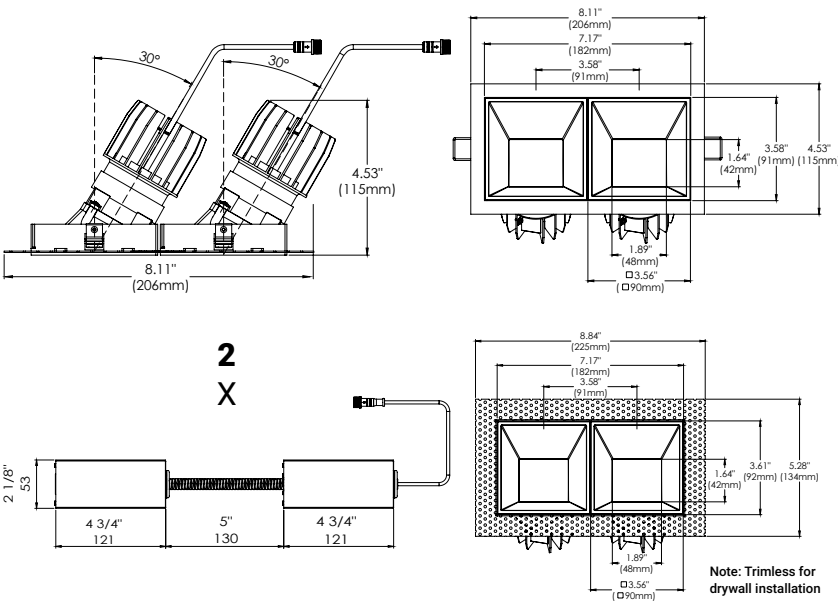
TYPE: _____ DATE: _____

NOTES: _____



FEATURES

The Bravo collection features a sharp sleek design, no matter the type of fixture you choose within this collection. Whether you choose both Bravo ceiling mount luminaires and Bravo recessed mount fixtures, there will be a harmonious integration throughout the room. Bravo Recessed mount fixtures are available in 3 body sizes and can be outfitted with 7 different modules that can be used for various applications and installations.



MAX CEILING TRIM THICKNESS: 1.25" TRIMLESS 1.5"

SPECIFICATIONS

FIXTURE BODY	18 gauge powder coated steel body. Aluminum powder coated trim or trimless mesh plate
INSTALLATION TYPE	Remodel/existing ceiling N/C plate, IC Box on page 2
CUT HOLE	Trim: 7 5/8" x 4 1/8" Trimless: 7 5/8" x 4 1/8"
COLOR FINISH	Black/White/Custom
LIGHT MODULE	High output, high efficiency LED COB Lumen Maintenance: 70%@50,000 hrs
INPUT VOLTAGE	120V - 277V
WATTAGE	30W Non-IC Rated
POWER SUPPLY	2 x ERP 15W, Constant Current 350mA power supply Minimum operating temperature: -30° Enclosed in a Junction box with 12" flexible cable to mate to module connector
BEAM ANGLE	75° (Wall Wash)
CRI	90+
DIMMING	TRIAC/ELV/0-10V
DELIVERED LUMENS	2 x 15W, 1500 Lumens
CCT OPTIONS	3000K/4000K
APPROVAL	Damp
ELECTRICAL APPROVAL	Compliant
WARRANTY	

SPECIFICATION GUIDE

BRAVO	RECESSED	2-LIGHT	TRIM/ TRIMLESS	FINISH	LIGHT MODULE x 2	WATTAGE	CCT	ADD-ONS**
BVO	R	2	T TRIM	01 BLACK	WLWL WALL WASH	15 15W	30	EM EMERGENCY MICRO INVERTER
			TL TRIMLESS	02 WHITE			40	** Sold Separate, see page 2 for details.

ORDERING GUIDE EXAMPLE:
 Bravo / Recessed Mount / 2-Light / Trim / White / Wall Wash / Wall Wash / 15W / 3000K
CODE: BVO-R-2-T-02-WLWL-15-30

ADD-ONS (Sold Separate)



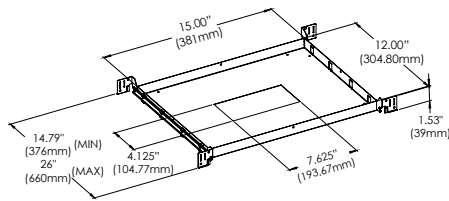
SINUSOIDAL EMERGENCY
MICRO INVERTER
47184-015

- Remote Mounted
- 150W Max 0-10V
- 25W Max Triac/elv.
- Can accommodate multiple fixtures
- Recommended to load to 80%
- 90 Min Service
- See Spc Sheet for more details

NEW CONSTRUCTION PLATES + IC BOXES

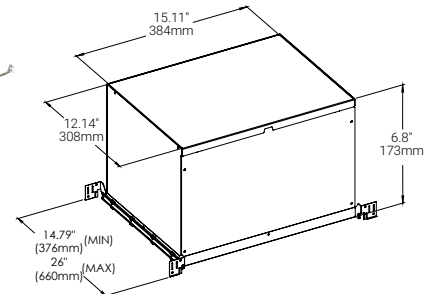


**NEW CONSTRUCTION PLATE
TRIM & TRIMLESS**
44361-013
CUT HOLE:
Trim & Trimless:
7 5/8" x 4 1/8"



AT/ IC BOX
46744-012

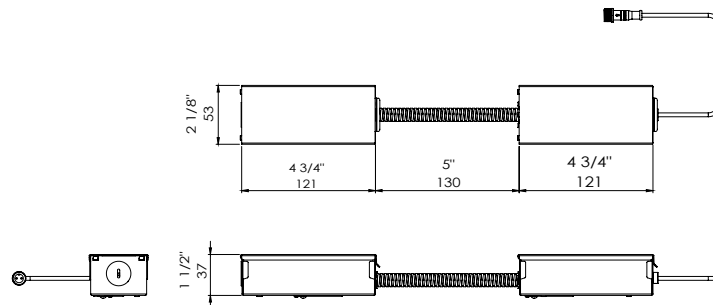
CUT HOLE:
Trim & Trimless:
7 5/8" x 4 1/8"



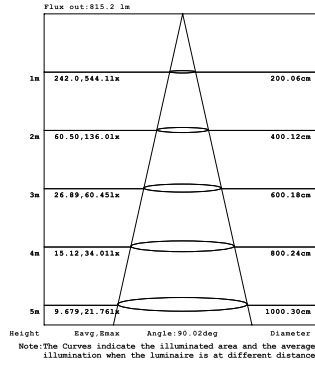
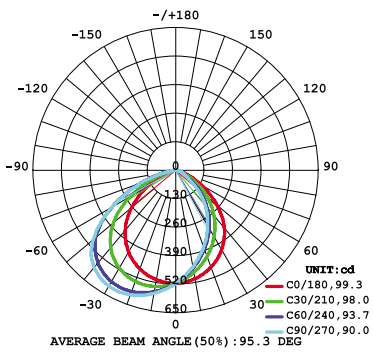
DRIVERS

- Compatible with TRIAC (forward-phase or leading-edge) ELV (reverse-phase or trailing edge) and 0-10V dimmers.
- ESSxxxW models: TRIAC and ELV dimming only at 120 Vac
- ESSxxxW models: ELV dimming only at 230 Vac
- 90° C maximum case hot spot temperature
- Class 2 power supply
- Lifetime: 50,000 hours at 70° case hot spot temperature (some models have a higher lifetime)
- IP64-rated (IP66 for ESST) case with silicone-based potting
- Protections: Output open load, over-current and short-circuit (hiccup), and over-temperature with auto recovery.
- Conducted and radiated EMI: Compliant with FCC CFR Title 47 Part 15 Class B (120 Vac) and Class A (277 Vac), and EN55015 (CISPR 15) at 220, 230, and 240 Vac.
- Complies with ENERGY STAR®, DLC (DesignLight Consortium®) and CA Title 24 technical requirements
- Worldwide safety approvals

2 X

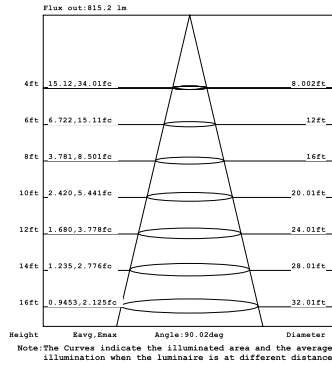
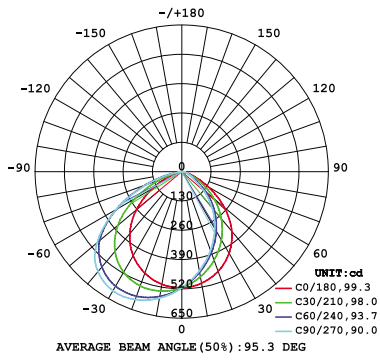


(Metric)



15W-2-LIGHT WALL WASH

(Imperial)



15W-2-LIGHT WALL WASH