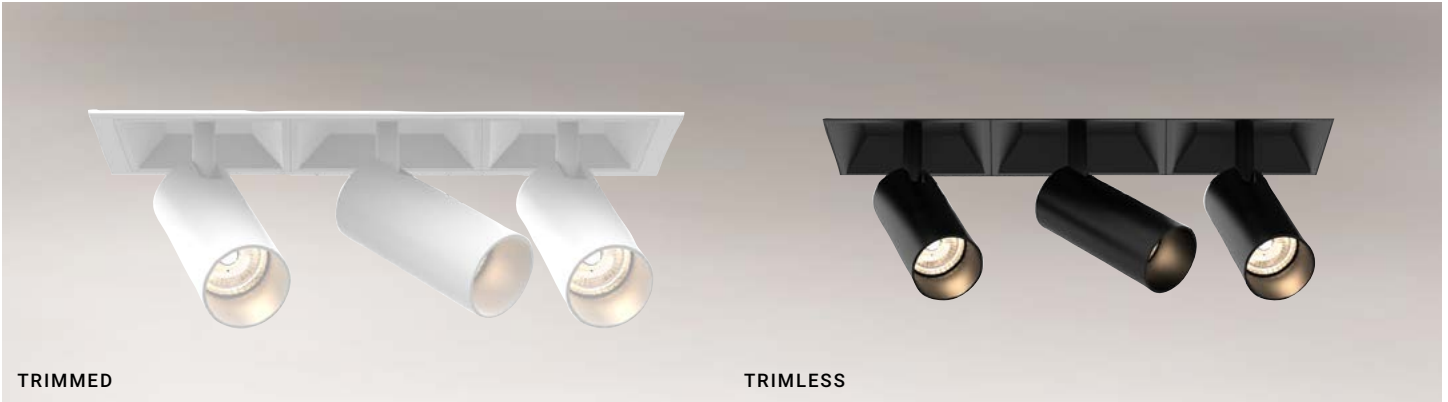


PROJECT: _____

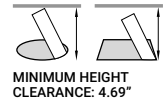
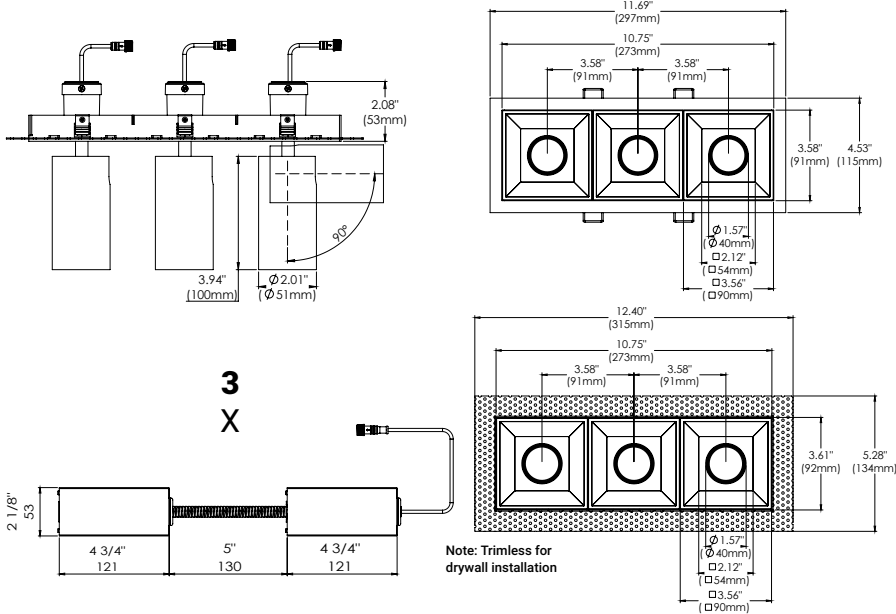
TYPE: _____ DATE: _____

NOTES: _____



FEATURES

The Bravo collection features a sharp sleek design, no matter the type of fixture you choose within this collection. Whether you choose both Bravo ceiling mount luminaries and Bravo recessed mount fixtures, there will be a harmonious integration throughout the room. Bravo Recessed mount fixtures are available in 3 body sizes and can be outfitted with 7 different modules that can be used for various applications and installations.



MAX CEILING TRIM THICKNESS: 1.25" TRIMLESS THICKNESS: 1.5"

SPECIFICATIONS

FIXTURE BODY	18 gauge powder coated steel body. Aluminum powder coated trim or trimless mesh plate
INSTALLATION TYPE	Remodel/existing ceiling N/C plate, IC Box on page 2
CUT HOLE	Trim: 11 1/4" x 4 1/8" Trimless: 11 1/4" x 4 1/8"
COLOR FINISH	Black/White/Custom
LIGHT MODULE	High output, high efficiency LED COB Lumen Maintenance: 70%@50,000 hrs
INPUT VOLTAGE	120V - 277V
WATTAGE	45W IC Rated
POWER SUPPLY	3 x ERP 15W, Constant Current 350mA power supply Minimum operating temperature: -30° Enclosed in a Junction box with 12" flexible cable to mate to module connector
ADJUSTABILITY	90°
CRI	90+
DIMMING	TRIAC/ELV/0-10V
DELIVERED LUMENS	3 x 15W, 2490 Lumens
CCT OPTIONS	3000K/4000K
APPROVAL	Damp
ELECTRICAL APPROVAL	Compliant
WARRANTY	

SPECIFICATION GUIDE

BRAVO	RECESSED	3-LIGHT	TRIM/ TRIMLESS	FINISH	LIGHT MODULE x 3	WATTAGE	CCT	ADD-ONS
BVO	R	3	T TRIM	01 BLACK	STSTST SPOT	15 15W	30	EM EMERGENCY MICRO INVERTER
			TL TRIMLESS	02 WHITE			40	** Sold Separate, see page 2 for details.

ORDERING GUIDE EXAMPLE:
 Bravo / Recessed Mount / 3-Light / Trim / White / Spot / Spot / Spot / 15W / 3000K
CODE: BVO-R-3-T-02-STSTST-15-30
 For custom module configuration, email sales@eurofase.com

ADD-ONS (Sold Separate)



SINUSOIDAL EMERGENCY MICRO INVERTER
47184-015

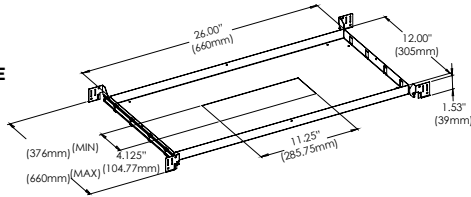
- Remote Mounted
- 150W Max 0-10V
- 25W Max Triac/elv.
- Can accommodate multiple fixtures
- Recommended to load to 80%
- 90 Min Service
- See Spc Sheet for more details

NEW CONSTRUCTION PLATES + IC BOXES



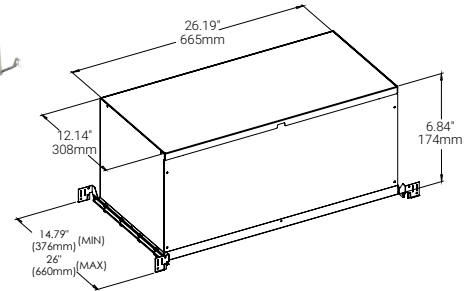
NEW CONSTRUCTION PLATE TRIM & TRIMLESS
44362-010

CUT HOLE:
Trim & Trimless:
11 1/4" x 4 1/8"



AT/IC BOX
46745-019

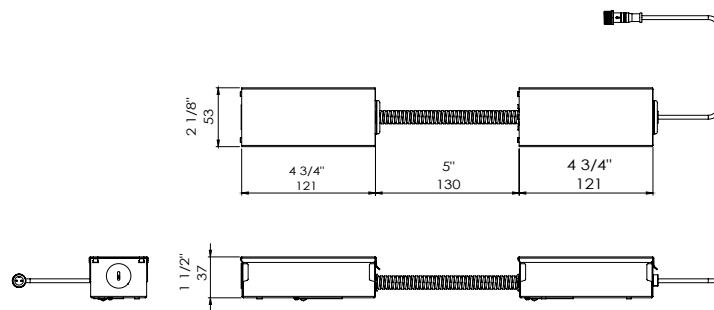
CUT HOLE:
Trim & Trimless:
11 1/4" x 4 1/8"



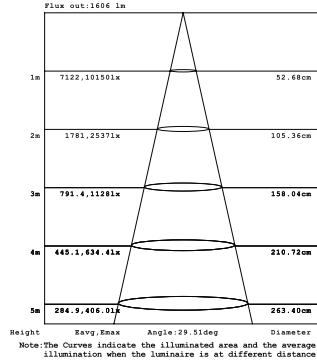
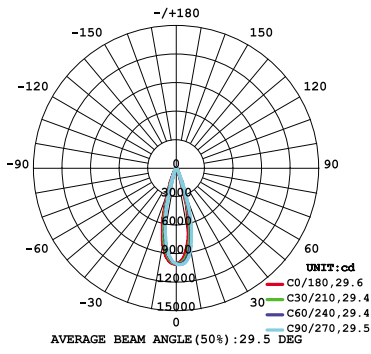
DRIVERS

- Compatible with TRIAC (forward-phase or leading-edge) ELV (reverse-phase or trailing edge) and 0-10V dimmers.
- ESSxxxW models: TRIAC and ELV dimming only at 120 Vac
- ESSxxxW models: ELV dimming only at 230 Vac
- 90° C maximum case hot spot temperature
- Class 2 power supply
- Lifetime: 50,000 hours at 70° case hot spot temperature (some models have a higher lifetime)
- IP64-rated (IP66 for ESST) case with silicone-based potting
- Protections: Output open load, over-current and short-circuit (hiccup), and over-temperature with auto recovery.
- Conducted and radiated EMI: Compliant with FCC CFR Title 47 Part 15 Class B (120 Vac) and Class A (277 Vac), and EN55015 (CISPR 15) at 220, 230, and 240 Vac.
- Complies with ENERGY STAR®, DLC (DesignLight Consortium®) and CA Title 24 technical requirements
- Worldwide safety approvals

3 X

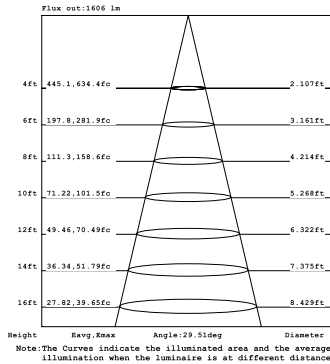
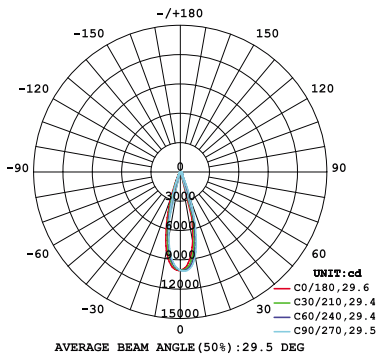


(Metric)



15W-3-LIGHT SPOT

(Imperial)



15W-3-LIGHT SPOT