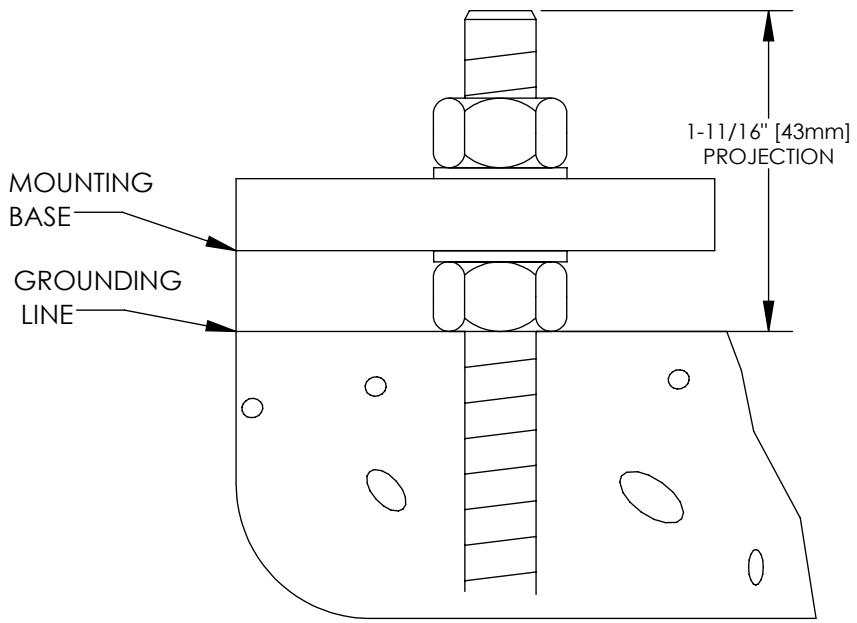
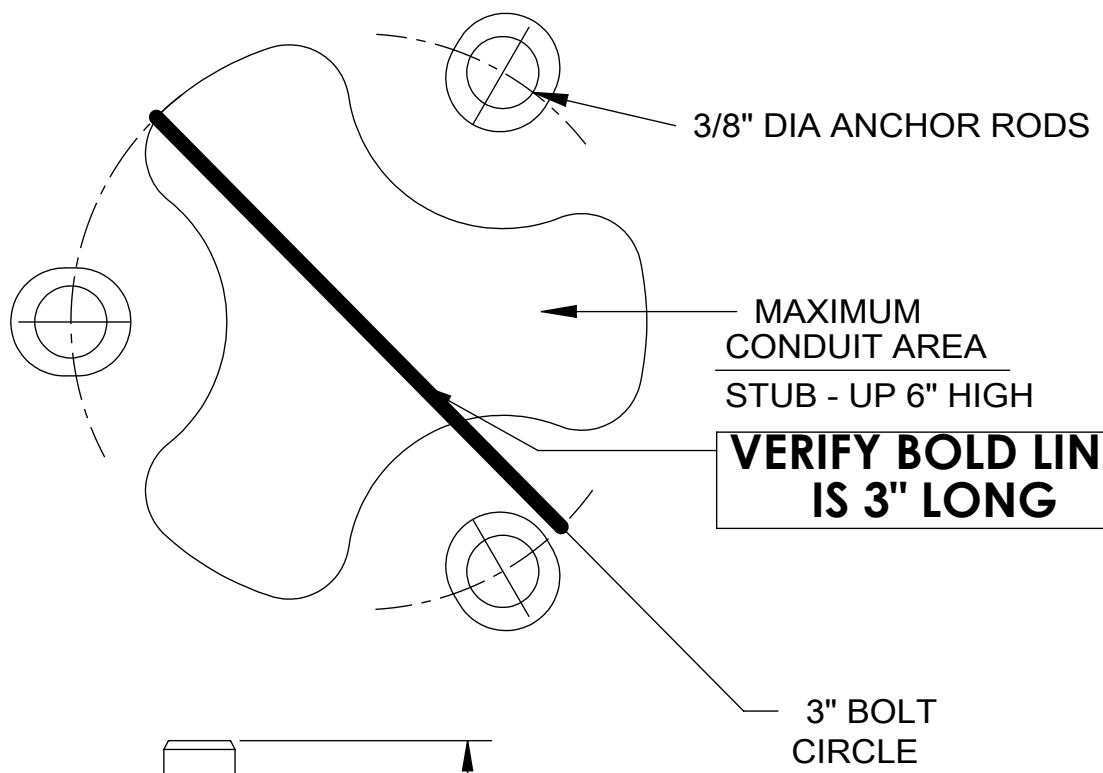


WHD	C	09-065	ALD	7/13/09
WHD	D	10-137-006	ARG	3/16/11
MP	E	17-003-01	ALL	1/5/17
APPR	REV	ISO DOC	BY	DATE

# MOUNTING TEMPLATE FOR: DB14, DB17, DB30



**\*WARNING\***

**NOT TO SCALE  
CONSULT FACTORY FOR  
FULL SIZE TEMPLATE.**

<h1>PHILIPS</h1>	<b>CONFIDENTIAL:</b> This drawing is confidential and proprietary to Philips Lighting and may not be reproduced in whole or in part without the express written consent of Philips Lighting. © 2017 Philips Lighting Holding B.V. All rights reserved.			DESCRIPTION TEMPLATE, ANCHOR BOLT DB14, DB17, & DB30 BOLLARDS	
	<b>CONTROLLED DOCUMENT</b> Check ERP System Screen for Latest Revision  <small>UNLESS OTHERWISE SPECIFIED:          *ALL DIMENSIONS ARE IN INCHES.          *ALL THREADS ARE UNC-2B OR UNF-2B AFTER COATING          *ALL THREADS ARE TO BE VERIFIED WITH A THREAD GAGE</small>	THIRD ANGLE PROJECTION 	DWN BY <b>M. BANKERT</b>	DATE <b>1/26/95</b>	MATERIAL <b>8.5 X 11" WHITE BOND PAPER</b>
<b>* DO NOT SCALE THIS DRAWING *</b>	SIZE <b>A</b>	SCALE <b>NTS</b>	CHK BY <b>B. DORON</b>	DATE <b>7/13/09</b>	PART NO.
			APPROVED BY <b>E. HADDAD</b>	DATE <b>1/26/95</b>	
		SHEET <b>1 of 1</b>	WEIGHT		