

# WAC LIGHTING

## Gaze

### Pendant 4CCT

Fixture Type: \_\_\_\_\_

Catalog Number: \_\_\_\_\_

Project: \_\_\_\_\_

Location: \_\_\_\_\_

Model & Size	Color Temp	Finish	LED Watts	LED Lumens	Delivered Lumens
PD-23412 12"	2700K	BK Black	12 W	570	485
	3000K	BN Brushed Nickel	12 W	570	485
	3500K		12 W	570	485
	4000K		12 W	570	485

Example: **PD-23412-40-BN**

For custom requests please contact [customs@wacighting.com](mailto:customs@wacighting.com)

#### DESCRIPTION

Half and half. A sphere composed of equal parts clear and frosted glass brings your home to life with a combination of bright and diffuse illumination.

#### FEATURES

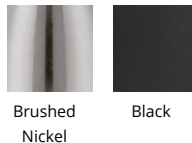
- Three 12" and one 6" downrods included (additional downrods available)
- May be mounted on a sloped ceiling
- Built in color temperature adjustability. Switch from 2700K/3000K/3500K/4000K
- Option to pre-select color temperature or adjust in the field
- Spin-on round canopy with minimal hardware
- Driver concealed within the canopy

#### SPECIFICATIONS

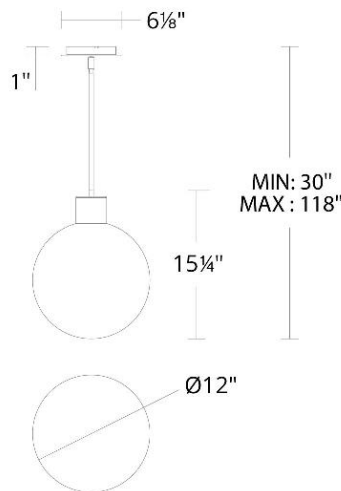
<b>Color Temp:</b>	3000K,4000K,2700K,3500K
<b>Input:</b>	120/277V,50/60Hz
<b>CRI:</b>	90
<b>Dimming:</b>	ELV: 100-10% ,TRIAC: 100-5%
<b>Rated Life:</b>	50000 Hours
<b>Standards:</b>	ETL, cETL Damp Location Listed
<b>Construction:</b>	Aluminum hardware with glass diffuser



#### FINISHES:



#### LINE DRAWING:



PD-23412

#### REPLACEMENT PARTS

- RPL-GLA-23412 - RPL Glass for PD-23412
- RPL-ROD-IN12-BK-01 - 12" Rod BK
- RPL-ROD-IN12-BN2-1 - 12" Rod BN
- RPL-ROD-IN06-BK-01 - 6" Rod BK
- RPL-ROD-IN06-BN2-1 - 6" Rod BN