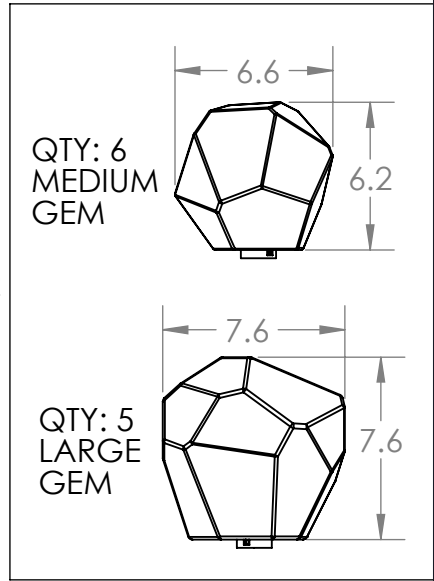
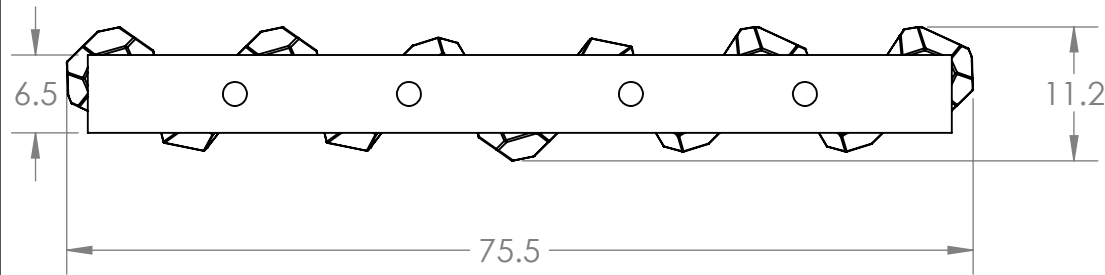
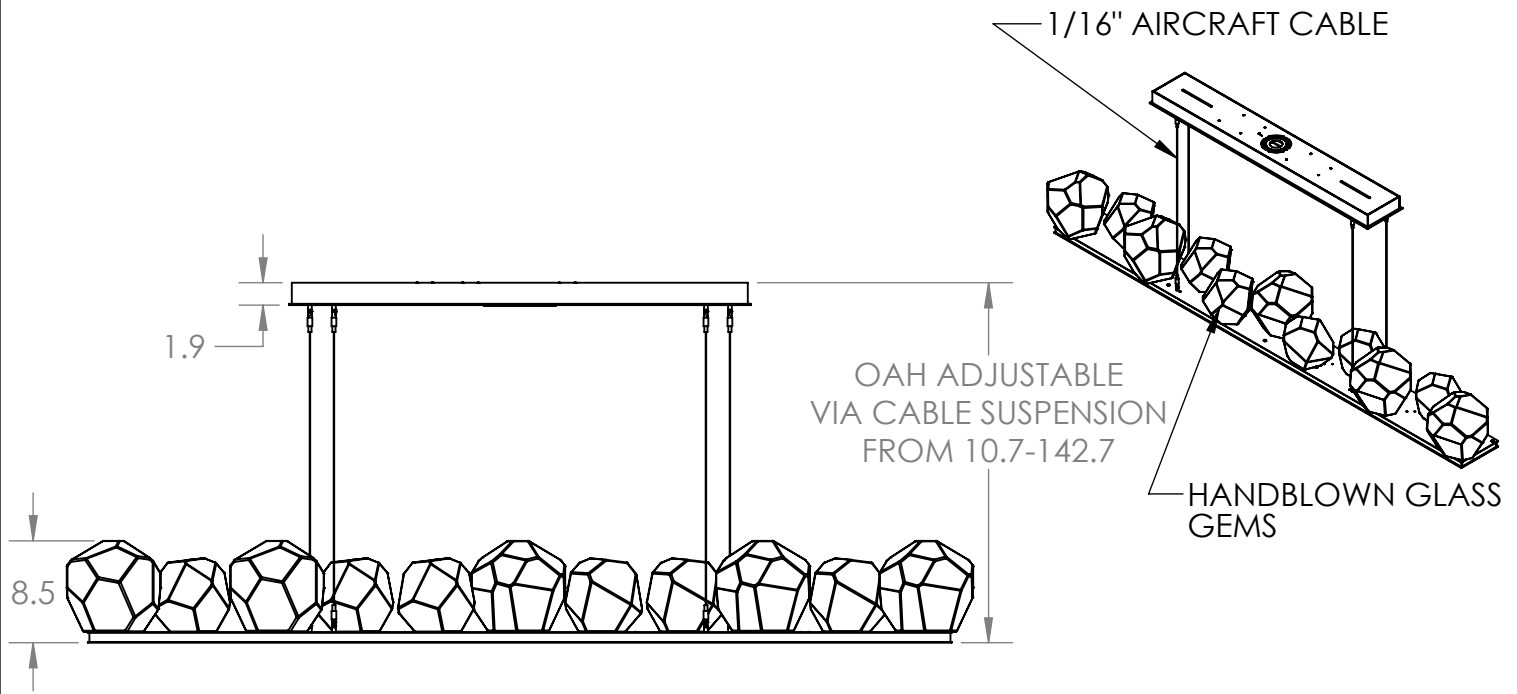


Collection: GEM

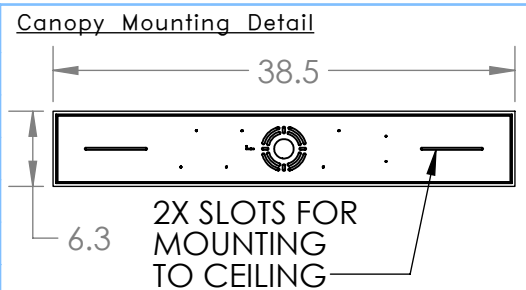
Product #: PLB0039-0E



All dimensions are shown in inches unless otherwise stated.
 Visit hammertonestudio.com for product options.

10/24/2019 (B)

Mounting Packet: X	Weight(lbs.): 90	Electrical Type: LED	CCT: 2700 K
UL Location: DRY	Elec. Qty: 15	Wattage: 50	Voltage: 120
Finish: SEE WEB SITE FOR OPTIONS	Source Lumens: Up: 1977	Down: 1369	
Top Diffuser: CLOSED GLASS	Dimmable: Forward/Reverse Phase To 1%		
Bottom Diffuser: FROSTED GLASS	CRI: 93+	Power Factor: >0.9	



MOUNTS TO J-BOX AND CEILING

All fixtures created by Hammerton are handcrafted by artisans. Dimensions may vary up to 7/8".

© Copyright 2019. All rights in design, detail or invention of this drawing are reserved as the property of Hammerton. Any imitation or adaptation without written consent is strictly prohibited.